

Application for participation



MINERALS BRNO
46th International Sales
Exhibition of Minerals, Fossils,
Jewels and Natural Products

Veletrhy Brno, a.s.
BVV Trade Fairs Brno
Výstaviště 405/1, 603 00 Brno
Tel.: +420 541152714, fax: +420541152542
E-mail: mineralybrno@bv.cz
<http://www.mineralybrno.cz>
Commercial register: Krajský soud v Brně,
odd. B, vložka 3137
ID: 25582518, Tax ID: CZ25582518

Date: 20th – 21st May 2023

Venue: BVV Trade Fairs Brno, Hall B

Deadline for registration: 31st March 2023

Company:.....

ID No.: VAT No.:

Title: Name:..... Surname:.....

Postcode: Street:.....

City:Country:.....

E-mail: Phone:.....

www.....

Note:I'm interested in offer of accomodation: YES NO

Order:

	Price/unit CZK		Pcs	Total CZK
	by 31/03	from 01/04		
Stand 2 x 2 m – var. A (incl. power supply up to 2 kW)	9 900	13 000		
Stand 3 x 2 m – var. B (incl. power supply up to 2 kW)	13 700	17 600		
Octanorm Desk A – 1 x 1 m (incl. power supply up to 2 kW and light.)	2 900	3 550		
Octanorm Desk B – 1 x 1 m (without lighting and power supply)	1 690	2 100		
1 sq.m of exhibition area	990	1 210		
Table – 140 x 100 cm (without power supply)	2 050	2 700		
Table – 120 x 60 cm (without power supply)	1 320	1 650		
Table – 80 x 80 cm (without power supply)	1 210	1 540		
Chair (extra order)	220	280		
Power supply up to 2 kW	850	1 150		
Car entry pass to the premises	200	250		
Total	-	-		

Please note: When ordering 1 – 4 tables, 2 chairs are free. When ordering 5 and more tables there are 4 free chairs. The listed prices include 21% VAT and cover the entire duration of the exhibition (2 days).

Your field: Minerals Precious Stones Jewellery Natural Products Fossils

Healing Stones Home accessories and decorations made of minerals or precious stones

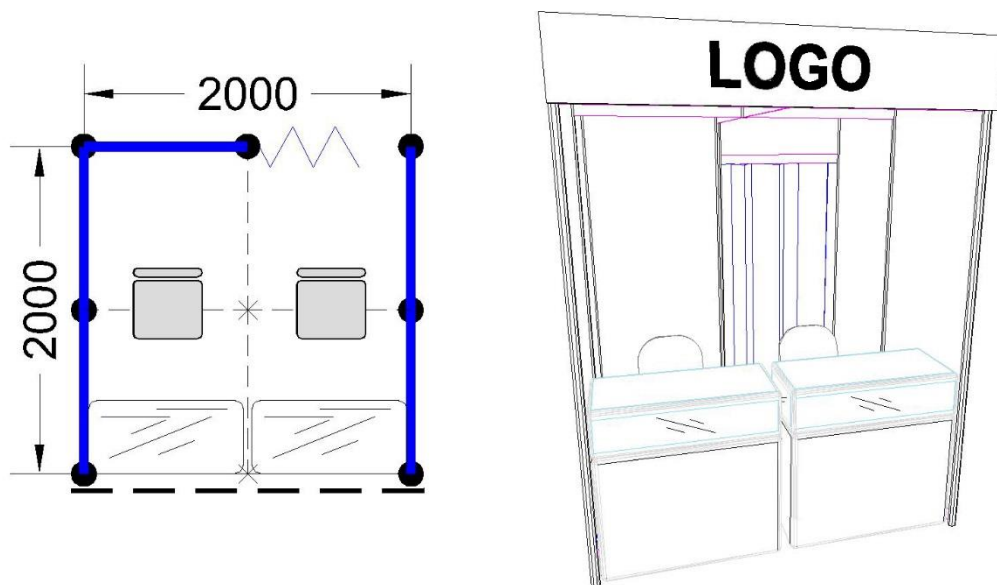
Mineralogical and geological equipment Mineralogical literature

Detailed field structure including a list of permitted and prohibited exhibits are shown on www.mineralybrno.cz.

www.mineralybrno.cz

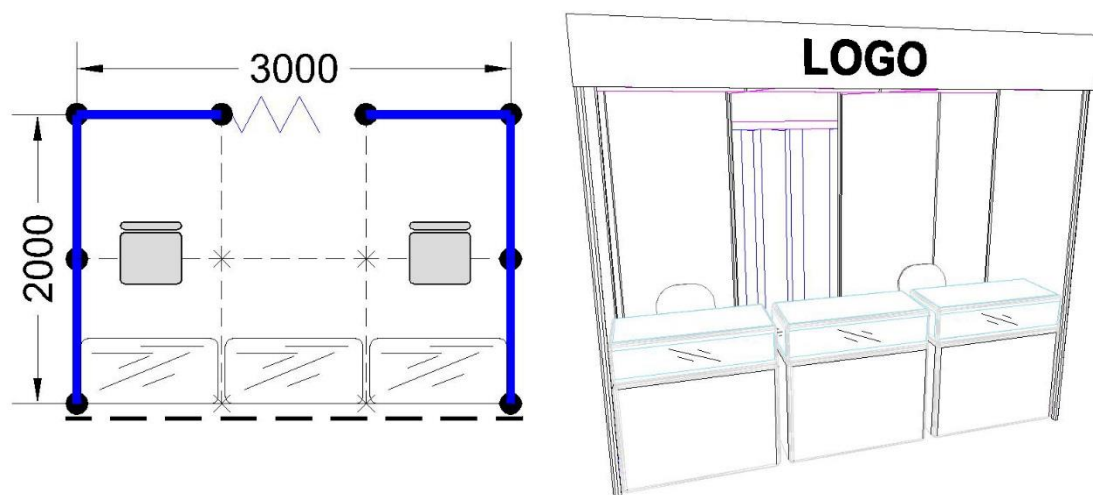


Stand: 2 x 2 m – option A



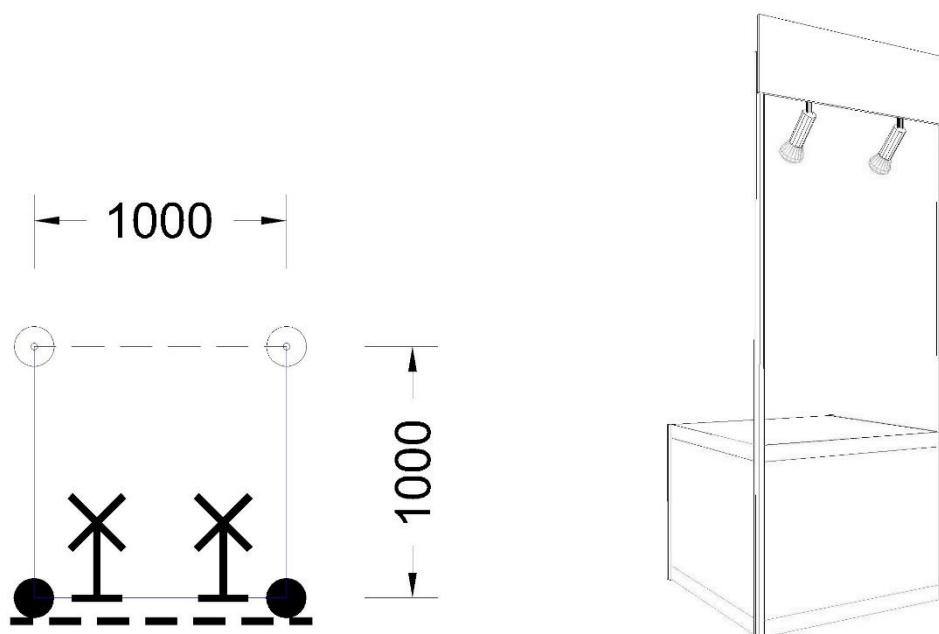
Standard equipment: ceiling grid, peripheral walls (standardised white panel boards), solid counter (2 x 0,5 m), 2 chairs, white sleeve 33 cm high (graphics not included in price), basic electrical installation (power supply up to 2 kW, 2 x hinged spotlight) and litter bin.

Stand: 3 x 2 m – option B



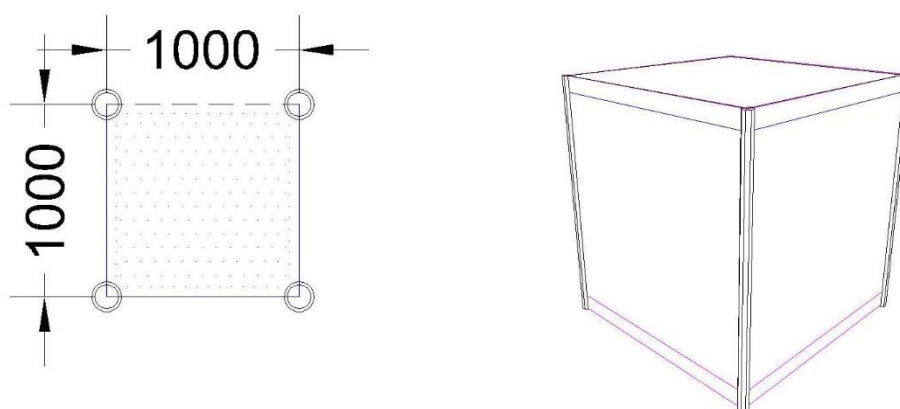
Standard equipment: ceiling grid, peripheral walls (standardised white panel boards), counter with glass top (3 x 0,5 m), 2 chairs, white sleeve 33 cm high (graphics not included in price), basic electrical installation (power supply up to 2 kW, 2 x hinged spotlight) and litter bin.

Octanorm sales counter– option A: 1 x 1 m



Description: sales counter with 1x1 m usable space, height 81 cm. The counter can stand on its own or more counters can be connected together to provide more space. Power supply up to 2 kW and 2 lights.

Octanorm sales counter– option B: 1 x 1 m



Description: sales counter with 1x1 m usable space, height 81 cm. The counter can stand on its own or more counters can be connected together to provide more space.

General information

1. Special pricing conditions are valid only for registrations by 31/03/2023 and payment of the P/I invoice by 10/04/2023 at the latest.
2. From 01/04/2023, the standard rates for different types of participation apply, the P/I invoice is to be paid by 01/05/2023. In the case of unpaid invoice the exhibitor will not be guaranteed exhibition space.
3. **CANCELLATION FEE:** in case of cancelled participation after 05/05/2023, the trade fair management will claim a cancellation fee of 50% from the exhibitor.
4. **Exhibitors must not use any space for presenting their products other than the rented one, ie. they must not extend their exhibition stand by any equipment and reach beyond their ordered and allocated space.**
5. Placement of exhibitors in the Hall is at the full discretion of the organizer - Fair Administration.
6. The listed prices include 21 % VAT
7. The exhibition space must be marked with the name of the exhibitor or company.
8. All the exhibits or groups of exhibits on display must be marked with a label showing the name of the mineral, locality and price. Synthetic and additionally coloured stones and products made of them must also be duly marked.
9. During the exhibition, the showcased range of products will be continuously checked by the organisers and authorised personnel according to the defined exhibition Product Categories. If the presented exhibits do not match the specified commodity nomenclature (objectionable or inappropriate exhibit in the form of a fake), the exhibitor will be immediately asked to remove such goods from the exhibition space. Repeated breach of this rule will result in the withdrawal of the allocated exhibition space by the organiser without any financial compensation.
10. In particularly serious cases, the exhibitor may be permanently banned from attending all exhibitions and fairs organised by BVV Trade Fairs Brno.
11. If the exhibits listed in the exhibitor's registration fail to comply with the defined Product Categories, the trade fair administration is entitled not to register them.
12. Detailed field structure including a list of permitted and prohibited exhibits are shown on www.mineralybrno.cz.
13. **The exhibitors must be insured, they are liable for any damage that may occur!**
14. How to get to the venue: From the main train station – take tram No. 1 – get off at “Výstaviště – hlavní vstup”; from the main coach station – take bus No. 84 direction BVV, get off at “Křížkovského”; by car – go to Gate 4 of BVV fairgrounds.
15. Parking is available in the Expoparking indoor parking house opposite Hall E or near the Main Entrance.
16. Snacks and refreshments are available in Hall B.